



BACE

BACE Vertical Baler V73HD

This unit is 72" wide to accommodate larger, more lengthy boxes or other materials. This unit is ideal for audio or television boxes and other larger cardboard cartons.

Ideal for

- Big Box Retailers
- Commissaries
- Distribution Centers
- Grocery Stores
- Home Retailers
- Hospitals
- National Accounts
- Pharmacies
- Recyclers
- Schools
- Universities
- Warehouses



Order Today: (877) 506-BACE
or visit us online at www.bacecorp.com

322 West 32nd Street
Charlotte, NC. 28206

*BACE Balers meet existing ANSI Standards
and are ETL & CETL Approved.*

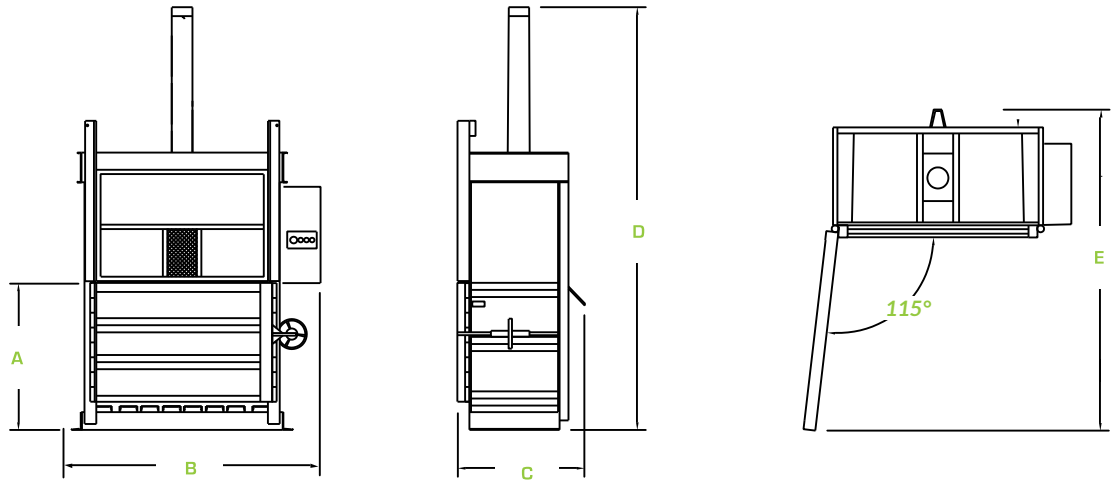


LEARN MORE AT WWW.BACECORP.COM
Toll Free: (877) 506-BACE (2223) • Fax: (704) 394-2210

BACE Vertical Baler V73HD

DIM. (in./mm)

- A. 49.5/1257
- B. 99/2515
- C. 45/1143
- D. 141.5/3594
- E. 106/2692



SPECIFICATIONS

PERFORMANCE

Nominal Bale Size	72" x 30" x 48"
Bale Weight	Up to 1300 lbs OCC
Bale Volume	60 cu. ft.
No. of Bale Tie Slots	7
Compact Force lbs - Normal / Maximum	62,203
Platen Pressure	28 PSI
Average Cycle Time	49 Seconds
Loading Height	49.50"
Ejector System	Semi-Automatic

HYDRAULIC / ELECTRICAL

Motor HP	10
Voltage 3 Phase	208V, 230V, 480V
Full Load Amps (A = Amps)	32A, 28A, 14A
Pump GPM	12 / 4 HiLo
Normal System Pressure PSI	2200
Cylinder Bore x Stroke	6" x 48"
Hydraulic Tank-Capacity Gallons	22

ADDITIONAL HYDRAULIC/ELECTRICAL CONFIGURATIONS ARE AVAILABLE. PLEASE CALL BACE FOR MORE INFORMATION.

Available Options

- Slotted Front Door
- Wire Guides (allows for front bale tie-off)
- Rear Feed Opening, Front Eject
- Feed Chute
- Counter Weighted Floppy Retainer Dogs
- Oil Heater
- Weather Proof Package

*Due to continual product improvement BACE reserves the right to change specifications without notice.
The information and pictures used in the document are for illustrative purposes only.
Printed on recycled paper.*