

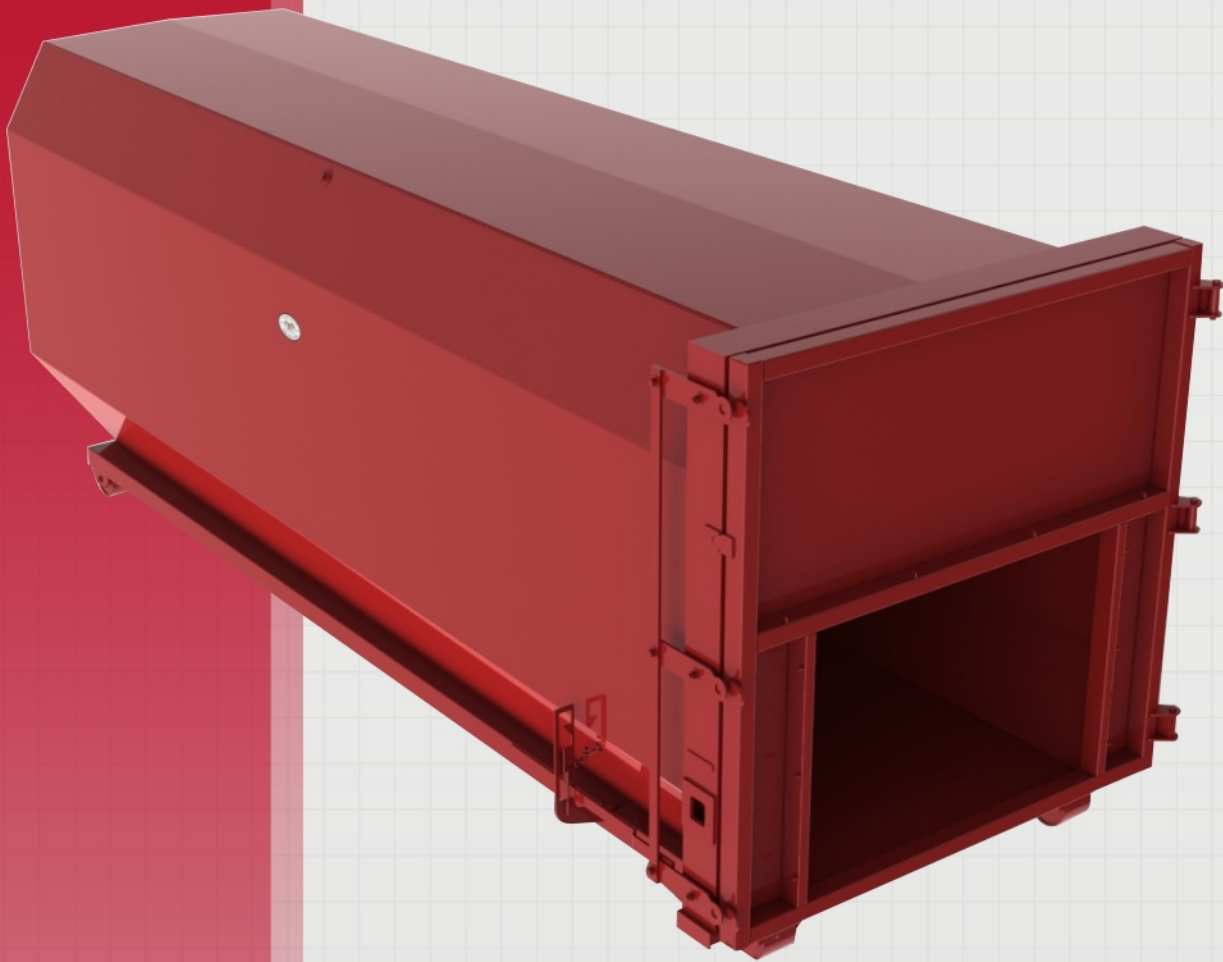
Receiver



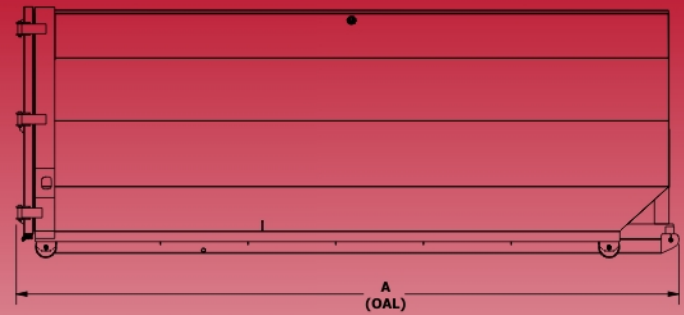
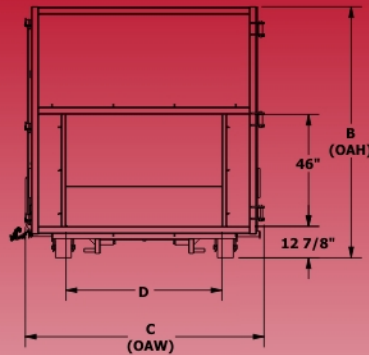
CRAM-A-LOT®

J.V. Manufacturing, Inc.

Solid Waste & Recycling Equipment



“Equipping The World For A Better Environment”



Specifications

Floor	Plate	RO-30 3/16"	RO-40 3/16"	RO-40-10 3/16"	RO-40-HD 1/4"	RO-40-HD-W 1/4"
Sides	Gauge	7	7	10	7	7
Main Rails	Tubing	6" x 2" x 3/16"	6" x 2" x 3/16"	6" x 2" x 3/16"	6" x 2" x 3/16"	6" x 2" x 3/16"
Cross Members	Channel Centers	3 x 4.1 18"	3" x 4.1" 18"	3" x 4.1" 18"	3" x 4.1" 18"	3" x 4.1" 18"
Wheels	Diameter	8 1/2"	8 1/2"	8 1/2"	8 1/2"	8 1/2"
	Wide	6 1/2"	6 1/2"	6 1/2"	6 1/2"	6 1/2"
Guide Rollers	Diameter	4"	4"	4"	4"	4"
	Wide	5 1/2"	5 1/2"	5 1/2"	5 1/2"	5 1/2"
		RO-30	RO-40	RO-40-10	RO-40-HD	RO-40-HD-W
(A) Overall Length		223 - 1/2"	271 - 1/2"	271 - 1/2"	271 - 1/2"	271 - 1/2"
(B) Overall Height		103"	103"	103"	103"	103"
(C) Overall Width		97 1/2"	97 1/2"	97 1/2"	97 1/2"	97 1/2"
(D) Feed Opening		64"	64"	64"	64"	77"

All information is subject to engineering and/or other changes without notice.

Warranty

Cram-A-Lot® 1-2-3 Warranty

J.V. Manufacturing will furnish without charge:

- 1) All parts and labor expenses through the first year of ownership to remedy any faults proven to be the result of defective materials or workmanship.
- 2) All parts through the second year of ownership to remedy any faults proven to be the result of defective materials or workmanship.
- 3) All labor expenses through the third year of ownership to remedy any structural faults proven to be the result of defective materials or workmanship.

This warranty does not apply to any damage caused by negligence, misuse, modifications, alterations, or accidents by purchaser or third parties.

Refer to operation manual for specific warranty coverage.

CORPORATE

P.O. Box 229
701 Butterfield Coach Road
Springdale, AR 72765
1-800-678-7320
479-751-7320
479-751-7774 (fax)

CRAM-A-LOT® CENTRAL

108 Hwy 365 S.
Conway, AR 72032
1-800-635-6780
501-327-6560
501-329-7931 (fax)

CRAM-A-LOT® WEST

8290 Belvedere Ave. Suite 110
Sacramento, CA 95826
1-888-431-3094
916-456-7676
916-456-7500 (fax)

DISTRIBUTED BY:

www.cram-a-lot.com