

# Pre-Crusher



**CRAM-A-LOT**<sup>®</sup>  
J.V. Manufacturing, Inc.   
Solid Waste & Recycling Equipment



**“Equipping The World For A Better Environment”**

# Pre-Crusher

Designed for large, difficult to compact trash, CRAM-A-LOT Pre-Crushers smash bulky waste items before compaction, effectively reducing waste volume and increasing load weights.

JV Manufacturing, Inc. offers a complete range of CRAM-A-LOT Pre-Crusher compactors for processing large, difficult to compact waste. Our Pre-Crushers are designed to effectively reduce the trash volume before compaction. They are ideally suited for crushing drums, pallets, furniture or white goods, or for destroying merchandise to prevent scavenging and reuse. We offer the most complete Pre-Crusher compactor range in the industry. With charge chamber sizes from 3 cubic yards up to 7 cubic yards, there is certainly a CRAM-A-LOT model to meet your specific need.



## FEATURES

- **Extra Heavy Duty Construction** The structural steel chassis has been designed using SolidWorks engineering software and will withstand heavy industrial duty service.
- **Reinforced Pre-Crusher Gate** The reinforced gate design will reliably withstand the forces required to crush and destroy a variety of materials including drums, pallets, furniture, and white goods.
- **Tongue and Groove Floor** Standard on all CRAM-A-LOT Pre-Crusher models, the tongue and groove floor prevents waste material from migrating between the ram and compactor floor.
- **Largest in Class** Our most popular model, the CRAM-A-LOT PC-05, features the largest Wastec Rated Size when compared to other 5 yard Pre-Crusher models
- **Programmable Logic Controller** Reliability is “designed in” through the use of a Programmable Logic Controller which simplifies electrical circuit design by eliminating the use of relays.
- **Power Source IHM** Our Power Source Integrated Hydraulic Manifold system reduces the size and weight of the power unit and provides a cleaner, more reliable, and more durable hydraulic system. The sub plate manifolds, hard & flexible piping, connectors, and clamps that are traditionally associated with hydraulic distribution systems are now a thing of the past!

## Warranty

### ***Cram-A-Lot*® 1-2-3 Warranty**

J.V. Manufacturing will furnish without charge:

- 1) All parts and labor expenses through the first year of ownership to remedy any faults proven to be the result of defective materials or workmanship.
- 2) All parts through the second year of ownership to remedy any faults proven to be the result of defective materials or workmanship.
- 3) All labor expenses through the third year of ownership to remedy any structural faults proven to be the result of defective materials or workmanship.

This warranty does not apply to any damage caused by negligence, misuse, modifications, alterations, or accidents by purchaser or third parties.

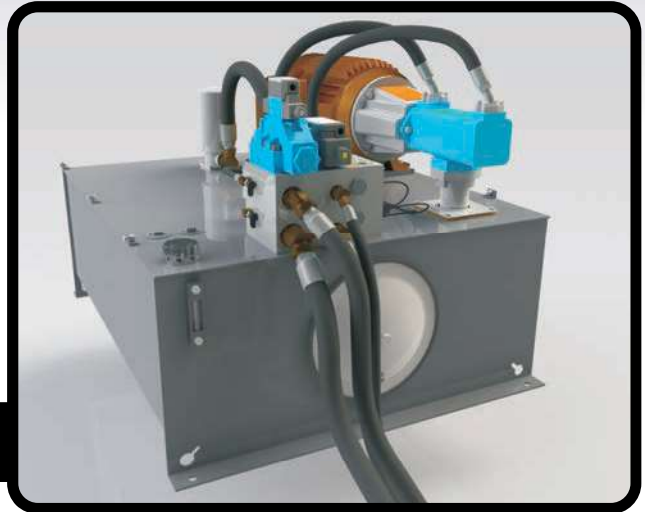
Refer to operation manual for specific warranty coverage.



**CRAM-A-LOT®**  
J.V. Manufacturing, Inc.  
Solid Waste & Recycling Equipment



**Industrial Duty Reinforced Gate For Maximum Crushing**



**The Power Source IHM System Delivers Reliable Power Year-Round**



**Pre Crusher in Action**

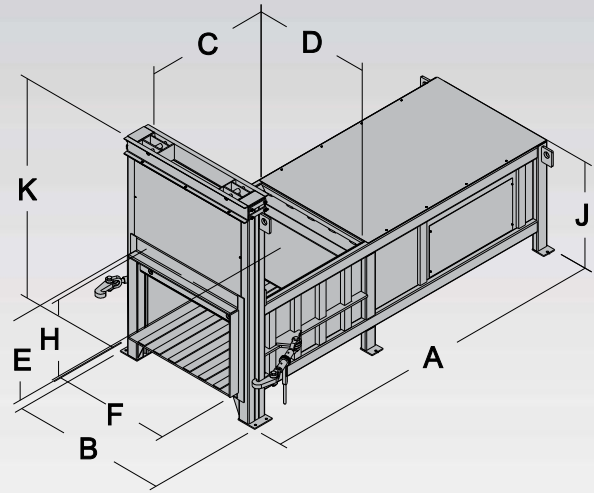


**Leasing and Rental Programs Available**

Compactor Units can be custom designed and factory installed to suit your special applications



**CRAM-A-LOT®**  
*J.V. Manufacturing, Inc.*  
**Solid Waste & Recycling Equipment**



**ELECTRICAL FEATURES ON ALL MODELS**

- UL Listed Control Panel
- Only Major Brand Electrical Components Used
- Weather Tight Electrical Enclosure

**Specifications**

		PH-03	PH-04	PC-05	PH-05	PH-07
Charge Box Capacity		3 Cubic Yard	4 Cubic Yard	5 Cubic Yard	5 Cubic Yard	7 Cubic Yard
WASTEC Rating		2.70	3.21	4.52	4.52	5.36
Clear Top Opening		61" x 57"	61" x 57"	93" x 57"	93" x 56"	90" x 68"
Theoretical Cycle Time	<b>Precrusher Mode</b>	94 Sec.	52 Sec.	56 Sec.	68 Sec.	68 Sec.
	<b>Compactor Mode</b>	56 Sec.	38 Sec.	32 Sec.	44 Sec.	44 Sec.
Operating Pressure	<b>Normal</b>	2000 Psi	2000 Psi	2000 Psi	1850 Psi	1850 Psi
	<b>Maximum</b>	2400 Psi	2400 Psi	2400 Psi	2250 Psi	2250 Psi
Total Force	<b>Normal</b>	77,000 lbs.	77,000 lbs.	77,000 lbs.	104,600 lbs.	104,600 lbs.
	<b>Maximum</b>	92,400 lbs.	92,400 lbs.	92,400 lbs.	127,200 lbs.	127,200 lbs.
Ram Face Pressure	<b>Normal</b>	43.7 Psi	36.7 Psi	37 Psi	49.8 Psi	41.6 Psi
	<b>Maximum</b>	52.4 Psi	44 Psi	44 Psi	60.6 Psi	50.6 Psi
Ram Penetration		14"	14"	16"	16"	16"
Motor - 3Phase - 208/230/460 Vac		15 Hp	20 Hp	30 Hp	30 Hp	30 Hp
Pump Capacity		25.5 Gpm	38 Gpm	63 Gpm	63 Gpm	63 Gpm
Hydraulic Reservoir Capacity		105 Gal	105 Gal	180 Gal	180 Gal	180 Gal
Hydraulic Cylinder	<b>Bore Dia.</b>	7"	7"	7"	(two) 6"	(two) 6"
	<b>Stroke</b>	86"	86"	120"	120"	120"
	<b>Rod Dia.</b>	4"	4"	4"	4"	4"
	<b>Precrush Gate Cylinder</b>					
Precrush Gate Cylinder	<b>Bore Dia.</b>	3 1/2"	3 1/2"	3 1/2"	3 1/2"	3 1/2"
	<b>Stroke</b>	41 1/2"	41 1/2"	41 1/2"	41 1/2"	41 1/2"
	<b>Rod Dia.</b>	2"	2"	2"	2"	2"
Ram Face Dimensions, W x H		60" x 29 1/2"	60" x 35"	60" x 35"	60" x 35"	72" x 35"
Unit Weight		14,900 lbs	15,500 lbs	20,000 lbs	21,000 lbs	23,500 lbs
		<b>PH-03</b>	<b>PH-04</b>	<b>PC-05</b>	<b>PH-05</b>	<b>PH-07</b>
(A) Overall Length		183"	183"	263 1/2"	263 1/2"	265 1/2"
(B) Overall Width		81"	81"	81"	81"	94"
(C) Clear Top Length		61"	61"	92 1/2"	92 1/2"	90"
(D) Clear Top Width		57"	57"	57"	56"	68"
(E) Discharge Height		43 1/2"	43 1/2"	43 1/2"	43 1/2"	43 1/2"
(F) Discharge Width		61 1/2"	61 1/2"	61 1/2"	61 1/2"	73"
(H) Chamber Depth		34"	40"	40"	40"	40"
(J) Compactor Frame Height		49 1/2"	55"	55"	55"	55"

All information is subject to engineering and/or other changes without notice.

**CORPORATE**

**CRAM-A-LOT® CENTRAL**

**CRAM-A-LOT® WEST**

**DISTRIBUTED BY:**

P.O. Box 229  
 701 Butterfield Coach Road  
 Springdale, AR 72765  
 1-800-678-7320  
 479-751-7320  
 479-751-7774 (fax)

108 Hwy 365 S.  
 Conway, AR 72032  
 1-800-635-6780  
 501-327-6560  
 501-329-7931 (fax)

8290 Belvedere Ave. Suite 110  
 Sacramento, CA 95826  
 1-888-431-3094  
 916-456-7676  
 916-456-7500 (fax)

**www.cram-a-lot.com**