

# X-press Pack Self-Contained Compactor

The X-Press pack is the easiest compactor on the market... just install it and start saving!!

## FEATURES

- UL/CUL listed Control Panel
- Liquid tight compactor/container
- 4 or 6 cubic yard front load or rear-load container
- Removable Power Unit
- Large 46 x 21 Charge Opening
- Low loading height for easy loading
- Optional chute fed systems available
- Fully (UHMW) guided & supported ram
- Fixed breaker bar teeth aid in trash retention
- ANSI Z245.2 & ANSI Z245.21 Compliant

**This compact self-contained unit offers the same liquid tight containment as a standard sized compactor, but in a more convenient size. Designed to offer the same benefits of a larger unit with it's optional chute fed or hopper fed system.**

**Ease of use makes it a perfect portable compactor. No additional site prep such as concrete pads, anchors or channel guides are required.**



Available In 4yd & 6y front and rear Container Capacities

## DESIGN FEATURES

- Rugged construction provides long life.
- Can easily be used for long-term or short-term applications.
- Eliminates the unsightly mess of trash spilled by hauler.
- Excellent compaction of dry and/or wet material.
- Compaction ratios average 4.5:1, depending on material
- Ideal for restaurants, fast food restaurants, shopping centers, supermarkets, hospitals, schools, nursing homes and hotels.

### LOADING CAPABILITIES

Load from ground, off a dock, or through the wall.

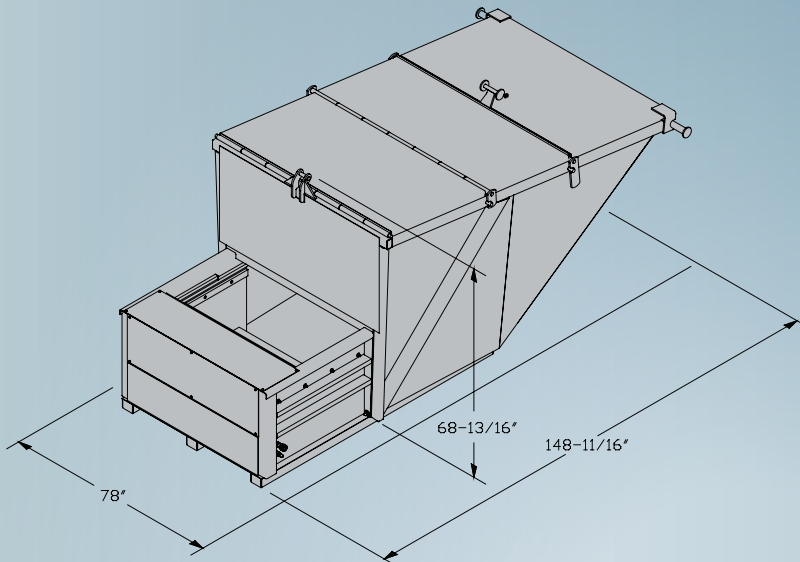
### USER FRIENDLY

Container lid automatically unlocks when container is emptied and locks when returned.

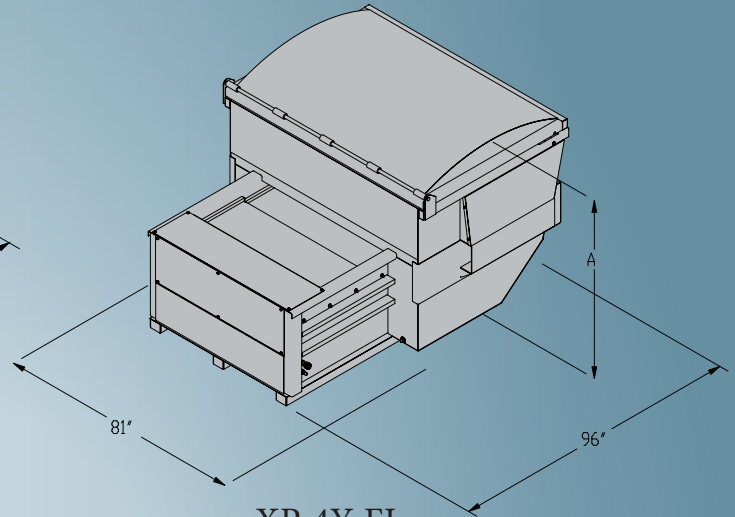
### SELF-CONTAINED UNIT

Designed for limited space locations.

# GTS X-PRESS PACK



XP-6Y-RL



XP-4Y-FL

## SPECIFICATIONS

Special modifications quoted upon request

### GENERAL:

Dimensions	Length	96"
	Width	81"
	Height	See Chart
Clear Top Opening		21" L x 46" W
Minimum Load Height		32"
Cycle Time		27 seconds
Ram Force	Normal	18,300 lbs.
	Maximum	19,500 lbs.
Ram Penetration	6" Minimum	
Ram Face Dimensions		48" W x 19" H
Weight		See Chart
WASTEC Rated		.41 CU YDS

### CONSTRUCTION:

Container	Floor	11 gage
	Sides	11 gage
Presshead	Top	3/16" Steel Plate
	Sides	3/16" Steel Plate
	Face	1/4" Steel Plate
Chassis	Floor	3/8" Steel Plate
		3" C-Channel
	Sides	3/16" Steel Plate 3" C-Channel

### ELECTRICAL:

Motor	3 hp
Voltage	280-230/406 VAC 60 Hz Three Phase
Optional Voltage	230 VAC 60 Hz Single Phase

### HYDRAULIC:

Pump Type	Vane	
Pump Capacity	3 gpm	
Tank Capacity	14 gal	
Hydraulic Capacity(2)	Bore	
	Stroke	
	Rod	2-1/2"
		18"
Operating Pressure	Normal	1*1/4"
	Maximum	2,250 psi
		2,400 psi

MODEL	A	WEIGHT
XP-4Y-FL	58 7/8"	2,700 lbs.
XP-6Y-FL	76 7/8"	2,800 lbs.
XP-6Y-RL	68 7/8"	2,975 lbs.

## CONTACT US

(886) 760-8194  
www.GlobalTrashSolutions.com

All information is subject to engineering and/or other changes without notice