

# GTS-Stationary Trash Compactor

## FEATURES

- ANSI Z245.2 Compliant - All compactors meet or exceed ANSI Z245.2 safety standards.
- UL/CUL listed Control Panels.
- UHMW Ram Guides - Adjustable to ensure straight tracking are readily replaceable, should the need arise.
- Oil Sight Gauge shows oil level at a glance.
- Heavy Duty Controls – NEMA 4 rated push-button controls with key lockable start switch.
- Automatic Single Cycle Operation.



GTS offers Stationary Compactors in various sizes, from our 2-4 yard Commercial Compactors to Heavy Industrial 5-15 Yard Compactors. Each unit is designed to safely, quietly and efficiently compact your waste, and can be custom designed to suit your special applications.

### **Commercial Size 2-4 Yard Compactors:**

Commercial size compactors are designed for moderate duty service. They are perfect for retail stores, light industrial plants, grocery stores, hospitals and many similar applications.

The 4-yard compactor is designed for heavy commercial, industrial and mini-transfer stations. This unit is engineered to handle above average quantities of refuse when a transfer station is not applicable.

Commercial size compactors offer integral power units to the compactor chassis for security, yet are accessible for ease of maintenance and repairs.

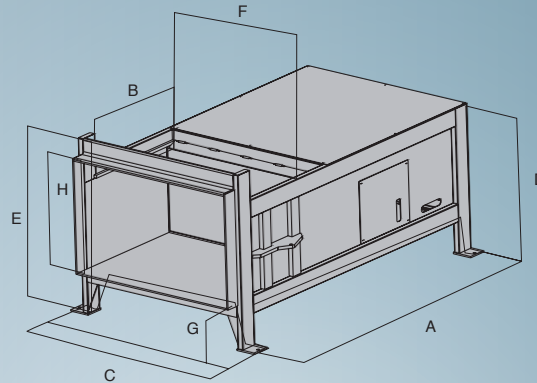
### **Large Industrial 5-15 Yard Compactors:**

Large Industrial compactors are designed for heavy industrial duty service. They are perfect for manufacturing facilities, heavy industrial plants, transfer stations and similar applications.



**GLOBAL TRASH  
SOLUTIONS**  
2011-2012  
GLOBAL TRASH

## 2-4 YARD STATIONARY COMPACTOR



### SPECIFICATIONS

	C0-2	CC-02	CX-02	C0-03	CH-03	CX-03	C0-04	CH-04	CX-04
Charge Box Capacity	2 cu. Yd.	2 cu. Yd.	2 cu. Yd.	3 cu. Yd.	3 cu. Yd.	3 cu. Yd.	4 cu. Yd.	4 cu. Yd.	4 cu. Yd.
WASTEC Rating	1.5	1.5	1.5	2.4	2.4	2.4	2.8	2.8	2.8
Clear Top Opening	40" x 58 1/2"	40" x 58 1/2"	40" x 58 1/2"	60" x 57"	60" x 57"	60" x 57"	60" x 57"	60" x 57"	60" x 57"
Theoretical Cycle Time	63 sec.	63 sec.	52 sec.	54 sec.	47 sec.	64 sec.	54 sec.	64 sec.	52 sec.
Total Force	Normal 45,200 lbs. Maximum 56,500 lbs.	Normal 56,500 lbs. Maximum 67,900 lbs.	Normal 77,000 lbs. Maximum 92,400 lbs.	Normal 56,500 lbs. Maximum 67,900 lbs.	Normal 56,500 lbs. Maximum 67,900 lbs.	Normal 76,900 lbs. Maximum 92,300 lbs.	Normal 56,500 lbs. Maximum 67,900 lbs.	Normal 76,900 lbs. Maximum 92,300 lbs.	Normal 104,600 lbs. Maximum 127,200 lbs.
Ram Face Pressure	Normal 26.4 psi Maximum 33 psi	Normal 33 psi Maximum 39.7 psi	Normal 45 psi Maximum 54 psi	Normal 32 psi Maximum 38.4 psi	Normal 32 psi Maximum 38.4 psi	Normal 43.4 psi Maximum 52.1 psi	Normal 27.3 psi Maximum 32.8 psi	Normal 37.1 psi Maximum 44.6 psi	Normal 50.5 psi Maximum 61.4 psi
Ram Face Dimensions W x H	60" x 28 1/2" 13"	60" x 28 1/2" 13"	60" x 28 1/2" 13"	59 3/4" x 29 1/2" 13"	59 3/4" x 29 1/2" 13"	59 3/4" x 29 1/2" 13"	59 3/4" x 34 1/2" 13"	59 3/4" x 34 1/2" 13"	59 3/4" x 34 1/2" 13"
Ram Penetration	13"	13"	13"	13"	13"	13"	13"	13"	13"
Motor-3 Phase - Pump Capacity	208/230460 Vac 10 hp	10 hp	10 hp	10 hp	15 hp	15 hp	10 hp	15 hp	20 hp
Hydraulic Reservoir Capacity	22 gal.	22 gal.	33 gal.	33 gal.	33 gal.	33 gal.	33 gal.	33 gal.	105 gal.
Hydraulic Cylinder Bore Dia.	6"	6"	7"	6"	6"	7"	6"	7"	(two) 6"
Stroke	54"	54"	54"	76"	76"	76"	76"	76"	76"
Rod Dia.	3.5"	3.5"	4"	3.5"	3.5"	4"	3.5"	4"	3.5"
Operating Pressure	Normal 1600 psi Maximum 2000 psi	Normal 2000 psi Maximum 2400 psi	Normal 2000 psi Maximum 2400 psi	Normal 2000 psi Maximum 2400 psi	Normal 2000 psi Maximum 2400 psi	Normal 2000 psi Maximum 2400 psi	Normal 2000 psi Maximum 2400 psi	Normal 2000 psi Maximum 2400 psi	Normal 1850 psi Maximum 2250 psi
Base Unit Weight	3,900 lbs.	4,200 lbs.	4,500 lbs.	5,620 lbs.	5,700 lbs.	6,100 lbs.	7,240 lbs.	7,420 lbs.	7,800 lbs.
Complete Unit UL Listed	Yes	Yes	Yes	Yes	Yes	Yes	Yes	Yes	No
Dimensions	( A )	( B )	( C )	( D )	( E )	( F )	( G )	( H )	
	Over All Length	Clear Top Length	Overall Width	Loading Sill Height	Overall Height	Clear Top Width	Ground Height	Discharge Opening Height	
C0-2	116 5/8"	39 3/16"	74 5/8"	49"	59"	58 3/8"	14 13/16"	39"	
CC-02	116 5/8"	40"	74 1/8"	49"	59"	58 3/8"	15"	39"	
CX-02	116 5/8"	40"	74 1/8"	49"	59"	58 3/8"	15"	39"	
C0-03	162 1/2"	60 3/16"	74 1/2"	49 1/2"	62"	57"	14 1/2"	42 1/2"	
CH-03	162 1/2"	60 3/16"	74 1/2"	49 1/2"	62"	57"	14 1/2"	42 1/2"	
CX-03	162 1/2"	60 3/16"	74 1/2"	49 1/2"	62"	57"	14 1/2"	42 1/2"	
C0-04	162 1/2"	60 3/16"	74 1/2"	55"	64"	57"	14 1/2"	42 1/2"	
CH-04	162 1/2"	60 3/16"	74 1/2"	55"	64"	57"	14 1/2"	42 1/2"	
CX-04	162 1/2"	60 3/16"	74 1/2"	55"	64"	57"	14 1/2"	42 1/2"	

### CONTACT US

Global Trash Solutions  
1194 Old Dixie Hwy. Suite 7  
(866) 760-8194  
www.GlobalTrashSolutions.com