

GTS offers Self-Contained Compactors (1yd & 2yd packing chamber size) with containers available in ranges of 10 yards to 38 yards total. The compactor's liquid tight containment provides a clean method to handle most any type of trash. These units are perfect for anywhere that liquid is part of what is being thrown away.

Hydraulic Tailgate models are also available for chute, dock, or other similar installations to eliminate the need for hauler turn around.

### FEATURES

- UL Listed complete compactor.
- ANSI Z245.2 & ANSI Z245.21 Compliant.
- Quiet Operating Vane Pump.
- Key operated controls
- UHMW Ram Guides assures straight tracking and are readily replaceable, should the need arise.
- Replaceable spin-on oil filter cartridge to keep your oil clean and provide a long, trouble free power unit life.
- Heavy Duty Controls – NEMA 4 rated pushbutton controls with key-lockable start switch.,
- Can be equipped with chute hoppers, ground feed hoppers, and any other special installation solution required.
- Standard short cross cylinder units available allow for use in tight spaces while providing greatest payload possible.
- Special modifications quoted upon request GTS engineers will work to configure your compactor to meet your specific needs. Others on the GTS team can arrange for delivery, installation and service of your GTS Compactor after the sale.
- One phone call takes care of your equipment and service needs.



# GTS SELF-CONTAINED COMPACTORS

## SPECIFICATIONS

### 1 YARD

	SC-T1-10/15/20	SC-T1-16/20/25-HTG
Charge Box Capacity	1 Cu Yd	1 Cu Yd
WASTEC Rating	0.75 Cu Yd	0.75 Cu Yd
Clear Top Opening	46"	46"
Theoretical Cycle Time	28 sec.	28 sec.
Total Force	Normal 44,200 lbs. Maximum 53,000 lbs.	Normal 44,200 lbs. Maximum 53,000 lbs.
Ram Face Pressure	Normal 40.0 psi Maximum 48.0 psi	Normal 40.0 psi Maximum 48.0 psi
Ram Face Dimensions W x H	48" x 23"	48" x 23"
Ram Penetration	6"	6"
Motor-3 Phase - 208/230/460 Vac	10 hp	10 hp
Pump Capacity	10.5 gpm	10.5 gpm
Hydraulic Reservoir Capacity	22 gal.	22 gal.
Hydraulic Cylinder	Bore Dia. Two, 4" Stroke 26" Rod Dia. 2"	Bore Dia. Two 4" Stroke 26" Rod Dia. 2"
Operating Pressure	Normal 2000 psi Maximum 2400 psi	Normal 2000 psi Maximum 2400 psi

DIMENSIONS	(A)	(B)	(C)	BASE UNIT WEIGH	NORMAL CONTAINER CAPACITY
	ALL OVER LENGTH	CLEAR TOP LENGTH	PACKER LENGTH		
SC-T1-10	13' - 2"	31"	60"	6,500 lbs.	10 CU YD
SC-T1-15	16' - 6"	31"	60"	7,000 lbs.	15 CU YD
SC-T1-20	19' - 10"	31"	60"	7,500 lbs.	20 CU YD
SC-T1-16-HTG	18'	31"	60"	8,000 lbs.	16 CU YD
SC-T1-20-HTG	19' 8"	31"	60"	8,200 lbs.	20 CU YD

\*\*Drawings are shown with universal understructures.\*\*

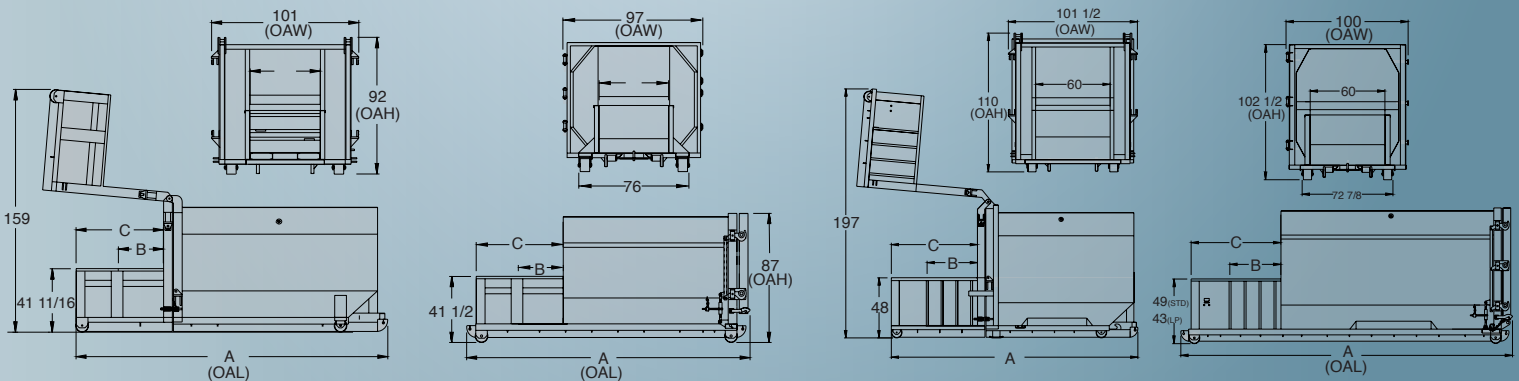
## SPECIFICATIONS

### 2 YARD

	SC-T2-20/25/30/34/38	SC-02-20/25/30/34	SC-T2-20/25/30/34-HTG
Charge Box Capacity	2 Cu Yd	2 Cu Yd	2 Cu Yd
WASTEC Rating	1.52 Cu Yd	1.31 Cu Yd	1.52 Cu Yd
Clear Top Opening	4'1" x 58"	34" x 58"	4'1" x 58"
Theoretical Cycle Time	37 sec.	32 sec.	37 sec.
Total Force	Normal 42,700 lbs. Maximum 51,250 lbs.	Normal 39,000 lbs. Maximum 47,100 lbs.	Normal 42,700 lbs. Maximum 51,250 lbs.
Ram Face Pressure	Normal 24.5 psi Maximum 29.5 psi	Normal 22.6 psi Maximum 27.1 psi	Normal 24.5 psi Maximum 29.5 psi
Ram Face Dimensions W x H	60" x 29"	60" x 29"	60" x 29"
Ram Penetration	8"	5.5"	8"
Motor-3 Phase - 208/230/460 Vac	10 hp	10 hp	10 hp
Pump Capacity	10.5 gpm	10.5 gpm	10.5 gpm
Hydraulic Reservoir Capacity	22 gal.	22 gal.	22 gal.
Hydraulic Cylinder	Two - 4" Bore Dia. 34" Stroke 2" Rod Dia. 2"	5" Bore Dia. 40" Stroke 3" Rod Dia. 2"	Two - 4" Bore Dia. 34" Stroke 2" Rod Dia. 2"
Operating Pressure	Normal 2000 psi Maximum 2400 psi	Normal 2000 psi Maximum 2400 psi	Normal 2000 psi Maximum 2400 psi

DIMENSIONS	(A)	(B)	(C)	BASE UNIT WEIGH	NORMAL CONTAINER CAPACITY
	ALL OVER LENGTH	CLEAR TOP LENGTH	PACKER LENGTH		
SC-T2-20	17' 4"	41"	71"	9,800 lbs	20 CU YD
SC-T2-25	19' - 11"	41"	71"	10,000 lbs	25 CU YD
SC-T2-30	22' - 1"	41"	71"	10,800 lbs	30 CU YD
SC-T2-34	23' 9"	41"	71"	10,900 lbs	34 CU YD
SC-T2-38	25' - 10"	41"	71"	12,000 lbs	38 CU YD
SC-02-20	19'	34"	90 1/2"	9,860 lbs	20 CU YD
SC-02-25	21' - 7"	34"	90 1/2"	10,100 lbs	25 CU YD
SC-02-30	23' - 9"	34"	90 1/2"	10,800 lbs	30 CU YD
SC-02-34	25' - 5"	34"	90 1/2"	10,900 lbs	34 CU YD
SC-T2-20-HTG	17'	41"	71"	10,260 lbs	20 CU YD
SC-T2-25-HTG	19' - 8"	41"	71"	10,900 lbs	25 CU YD
SC-T2-30-HTG	21' - 9"	41"	71"	11,540 lbs	30 CU YD

\*\*Drawings are shown with universal understructures.\*\*



## CONTACT US

(886) 760-8194

www.GlobalTrashSolutions.com