

### FEATURES

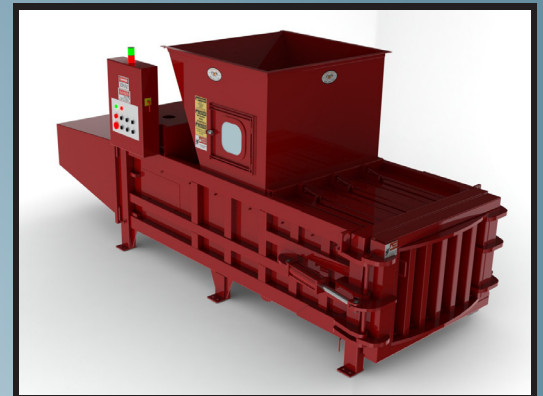
- UL/CUL listed Control Panel
- WASTEC Rated
- Programmable Controller
- Adjustable Hardened Shear Blade
- Full-Bale and Advanced Warning Indicators
- Automatic Bale Ejection System
- Auto-Cycle with Photocell
- Start-up Alarm & Light
- Name Brand Electrical & Hydraulic Components
- Custom Hoppers Available

### DESIGN FEATURES

- Heavy Duty Construction provides long service life
- 8" High Performance Cylinder - Made in USA
- Automatic Cycle feature controlled by Photocell
- Power Source IHM (Integrated Hydraulic Manifold) system reduces the number of hydraulic hoses & fittings, providing a cleaner, more reliable and more durable hydraulic system
- Hydraulic Door Latch
- Wire Guide Tie System
- Conveyor Feed Controls with Photocell
- Conforms to all current ANSI Z 245.5 safety standards

### OPTIONAL FEATURES

- Remote Power Unit
- Motor Upgrade to 30hp
- Oil Cooler
- Oil Heater
- Biodegradable Oil
- Custom Hopper Solutions
- 48" or 60" Standard or Pit Conveyor Systems



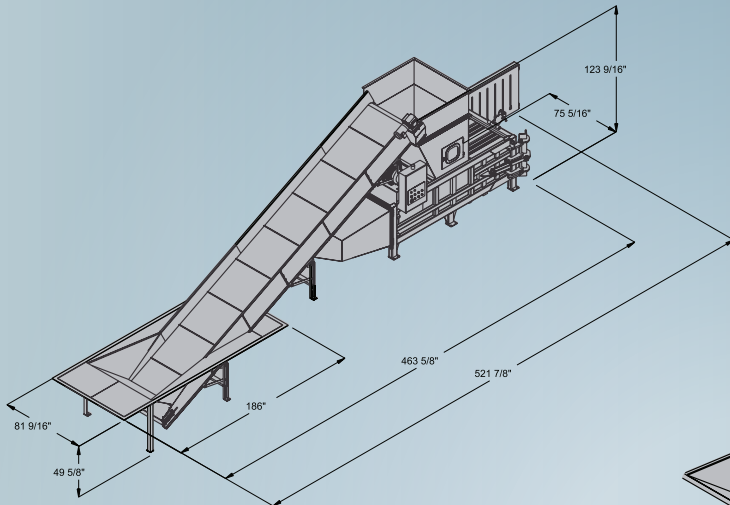
The GTS HE-60 Horizontal Wide Mouth Baler is designed with the largest clear top opening which is 22.5% larger than our largest 72" Horizontal Baler and can be used with or without a conveyor system.

Designed for ease of installation, operation and maintenance the baler can operate manually or automatically with photo electric cell control. The HE-60 is ideal for warehouses, users baling waste paper, corrugated, newsprint, office white, plastics, foam rubber, light aluminum and other recyclables without pre-conditioning or fluffing required.

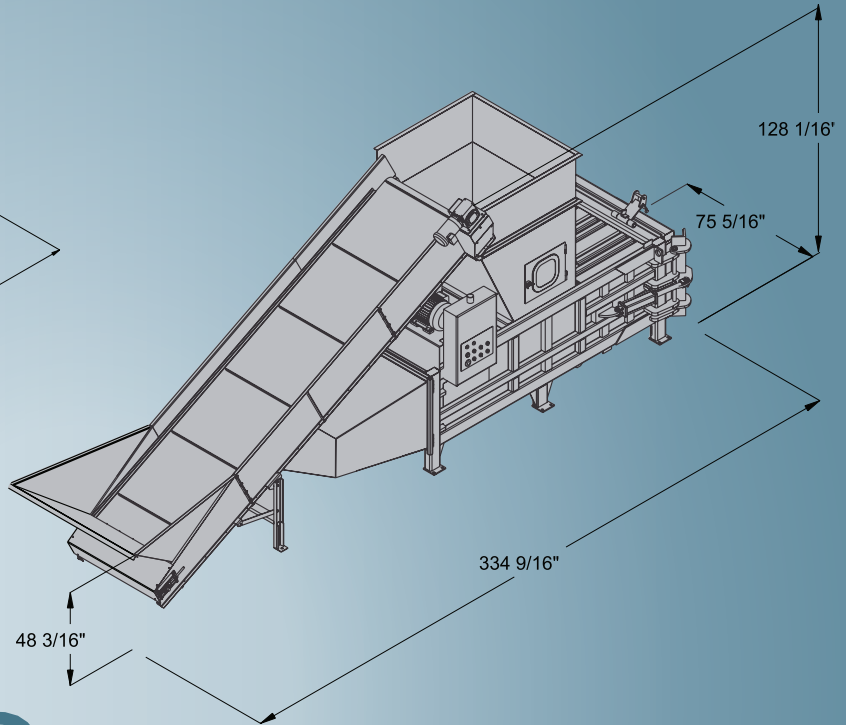


**GLOBAL TRASH  
SOLUTIONS**

## GTS HE-60 WIDE MOUTH HORIZONTAL BALER



Pit Conveyor



### SPECIFICATIONS

<b>Model</b>		<b>HE-60</b>
<b>Nominal Bale Size</b>	L	48"
	W	60"
	H	30"
<b>Bale Weight Up to</b>	(OCC)	1,300 lbs
<b>Throughput</b>	(OCC)	2.5 bales per hr
<b>Main Cylinder</b>	B	8"
	S	84"
	R	5"
<b>Door Cylinder</b>	B	5"
	S	12"
	R	2"
<b>Motor</b>		20 hp
<b>Pump @1800 rpm</b>		37.5 Gpm
<b>System Pressure</b>	Normal	2,400 psi
	Maximum	2,800 psi
<b>Platen Force</b>	Normal	120,600 lbs
	Maximum	140,800 lbs
<b>Platen Face Pressure</b>	Normal	67 psi
	Maximum	78.2 psi
<b>Cycle Time no Load</b>		47 sec
<b>Unit Weight</b>		15,200 lbs



**GLOBAL TRASH  
SOLUTIONS**

### CONTACT US

Global Trash Solutions  
1194 Old Dixie Hwy. Suite 7  
Lake Park, FL 33403  
(866) 760-8194

[www.GlobalTrashSolutions.com](http://www.GlobalTrashSolutions.com)