

### FEATURES

- UL/CUL listed Control Panel
- Touch Screen Controls
- Electronic Dashboard
- Accent 470 Wire Tie System
- Automatic Bale Ejection System
- Auto-cycle with Photocell
- Name Brand Electrical & Hydraulic Components
- Oil Cooler

### DESIGN FEATURES

- Heavy Duty Construction provides long service life
- Integrated Controls for Baler & Wire Tie System
- 9" High Performance Cylinder - Made in USA
- Automatic Cycle feature controlled by Photocell
- Guillotine Bale Separator
- Externally Adjustable, Serrated Shear Blade
- Tongue & Groove Floor in Charge Chamber
- Replaceable Liners
- Conveyor Feed Controls with Photocell
- Conforms to all current ANSI Z 245.5 safety standards

### OPTIONAL FEATURES

- Control Pedestal with Casters
- Bale Slide Table
- Oil Heater
- Biodegradable Oil
- Custom Hopper Solutions
- 60" Standard or Pit Conveyor Systems



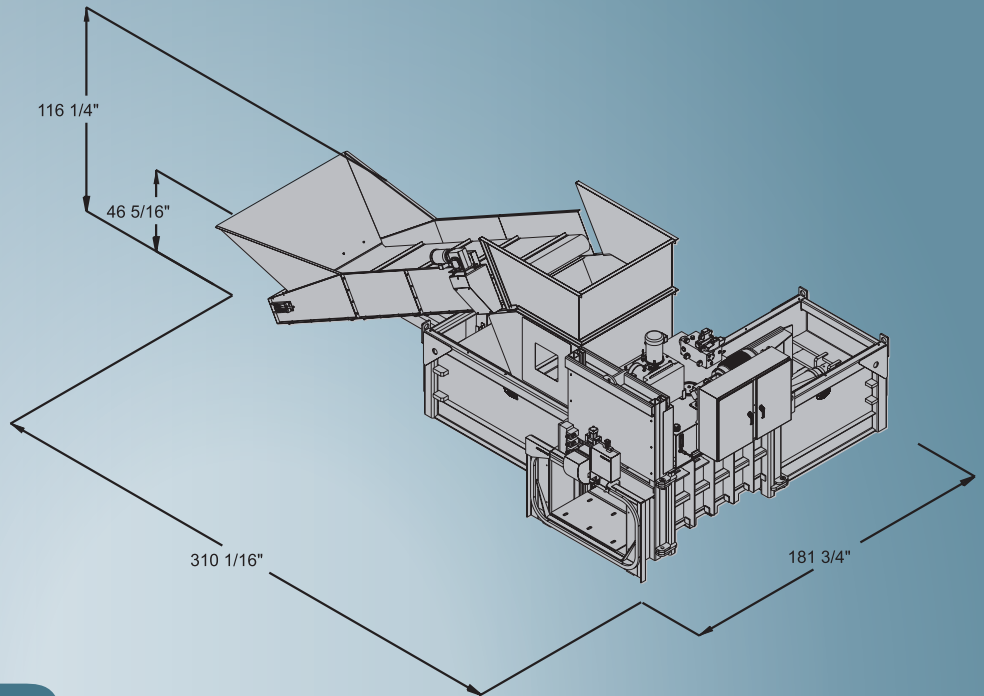
The H2R-60 Auto Tie is the flagship of the GTS range of horizontal balers. This two ram, auto tie baler is designed for Material Recovery Facilities, Recycling Centers, and Distribution Centers that need to process high volumes of recyclables daily. The auto tie feature reduces labor costs and increases throughput.

GTS Horizontal Balers are designed for the medium volume processor who wants to minimize the labor associated with routine bale tie-off. The GTS H2R-60 can process a variety of materials and produces a standard mill-sized 60" bale; full penetration ensures high-density bales and the auto-tie feature ensures efficient operation.



**GLOBAL TRASH  
SOLUTIONS**

## GTS H2R-60 HORIZONTAL BALER



### SPECIFICATIONS

Model	H2R-60	
Nominal Bale Size	L	48"
	W	60"
	H	30"
Bale Weight Up to	(OCC)	1,400 lbs
Throughput	(OCC)	3.5 bales per hr
Main Cylinder	B	9"
	S	84"
	R	7"
Door Cylinder	B	3"
	S	30"
	R	1-3/8"
Motor		25 hp
Pump @1800 rpm		55 Gpm
System Pressure	Normal	2,850 psi
	Maximum	3,000 psi
Platen Force	Normal	181,217 lbs
	Maximum	190,755 lbs
Platen Face Pressure	Normal	101 psi
	Maximum	106 psi
Cycle Time no Load		26 sec
Unit Weight		30,000 lbs



**GLOBAL TRASH  
SOLUTIONS**

### CONTACT US

Global Trash Solutions  
1194 Old Dixie Hwy. Suite 7  
Lake Park, FL 33403  
(866) 760-8194

[www.GlobalTrashSolutions.com](http://www.GlobalTrashSolutions.com)