

GTS-Apartment Trash Compactor

FEATURES

- Unit can be equipped with high-rise chute hoppers, ground fed hoppers, and any other special installation requirement.
- Can be equipped with single side latching for easy and quick container removal
- UL/CUL Listed Control Panel
- ANSI Z245.2 & ANSI Z245.21 Compliant
- Quiet Operating Vane Pump



GTS Apartment Compactors are designed to fit in extra tight spaces. The compactor packs into a 2 yard or 3 yard front load or rear load container where overall space utilization is critical. These powerful units are the perfect solution for high-rise apartments, hotels, hospitals, office buildings and anywhere else that requires a compactor in limited space.

DESIGN FEATURES

- Rugged construction provides long life.
- Compaction ratios average 4:1, depending on material.
- Excellent compaction of dry and/or wet material.

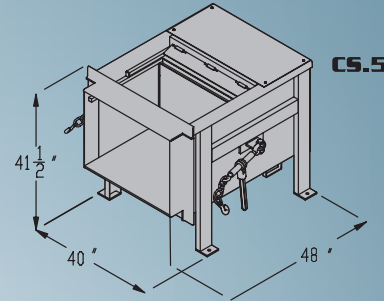
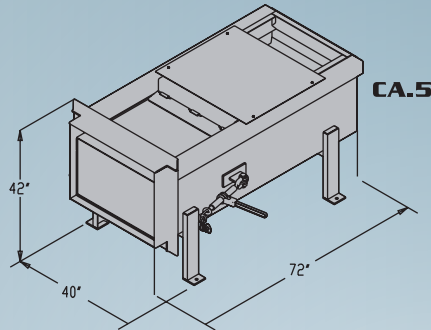
LOADING CAPABILITIES

- Load from ground, off a dock from a multi-story chute or through the wall.



**GLOBAL TRASH
SOLUTIONS**
SOLUTIONS
GLOBAL TRASH

Apartment Trash Compactors



SPECIFICATIONS

CA-5 Specifications

GENERAL:

| | | |
|----------------------|---------|-----------------------|
| Dimensions | Length | 72" |
| | Width | 40" |
| | Height | 42" |
| Clear Top Opening | | 20" L x 27" W |
| Load Height | Min | 37 - 1/2" |
| Cycle Time | | 38 seconds |
| Ram Force | Normal | 13,800 lbs. |
| | Maximum | 17,500 lbs. |
| Ram Penetration | | 5.5" |
| Ram Force Dimensions | | 29 - 3/4" W x 18" H |
| Weight | | 1,840 lbs with hopper |
| WASTEC Rated | | .27 CU YDS |

CONSTRUCTION:

| | | |
|-------------|--------|--|
| Chassis | Floor | 1/4" Steel Plate 3" C-Channel |
| | Sides | 1/4" Steel Plate 4" x 4" x 3/16 Steel Plate 4" C-Channel |
| Presshead | Top | 3/16" Steel Plate |
| | Sides | 1/4" Steel Plate |
| | Face | 3/8" Steel Plate |
| | Bottom | 3/8" AR Steel Plate |
| Breaker Bar | Guides | HMW Pads |
| | | 5" x 3 - 1/2" x 3/8" Steel Angle |

ELECTRICAL:

| | | |
|-------|------------------|---|
| Motor | Voltage | 3 hp 208 -230/460 VAC 60 Hz Three Phase |
| | Optional Voltage | 230 VAC 60 Hz Single Phase |

HYDRAULIC:

| | | |
|--------------------|---------------|-----------|
| Hydraulic Cylinder | Pump Type | Vane |
| | Pump Capacity | 4.5 gpm |
| | Tank Capacity | 11 gal |
| | Bore | 4" |
| Stroke | | 28" |
| | Rod | 2" |
| Operating Pressure | Normal | 1,100 psi |
| | Maximum | 1,400 psi |

CS-5 Specifications

GENERAL:

| | | |
|----------------------|---------|---------------------------|
| Dimensions | Length | 48" |
| | Width | 40" |
| | Height | 41 - 1/2" |
| Clear Top Opening | | 21" L x 28" W |
| Load Height | Min | 39 - 3/4" |
| Cycle Time | | 14 seconds |
| Ram Force | Normal | 14,300 lbs. |
| | Maximum | 16,400 lbs. |
| Ram Penetration | | 5.5" |
| Ram Force Dimensions | | 29 - 3/4" W x 18 - 3/4" H |
| Weight | | 1,186 lbs with hopper |
| WASTEC Rated | | .26 CU YDS |

CONSTRUCTION:

| | | |
|-------------|--------|----------------------------------|
| Chassis | Floor | 1/2" Steel Plate 3" C-Channel |
| | Sides | 7 gage 4" Channel |
| Presshead | Top | 7 gage |
| | Sides | 1/4" Steel Plate |
| | Face | 1/2" Steel Plate |
| | Bottom | 1/2" AR Steel Plate |
| Breaker Bar | Guides | UHMW Pads |
| | | 5" x 3 - 1/2" x 3/8" Steel Angle |

ELECTRICAL:

| | | |
|-------|------------------|---|
| Motor | Voltage | 5 hp 208 -230/460 VAC 60 Hz Three Phase |
| | Optional Voltage | 230 VAC 60 Hz Single Phase |

HYDRAULIC:

| | | |
|------------------------|---------------|-----------|
| Hydraulic Cylinder (2) | Pump Type | Vane |
| | Pump Capacity | 6 gpm |
| | Tank Capacity | 11 gal |
| | Bore | 2 1/2" |
| Stroke | | 18" |
| | Rod | 1 - 1/4" |
| Operating Pressure | Normal | 1,750 psi |
| | Maximum | 2,000 psi |

CONTACT US

Global Trash Solutions
1194 Old Dixie Hwy. Suite 7
(866) 760-8194
www.GlobalTrashSolutions.com