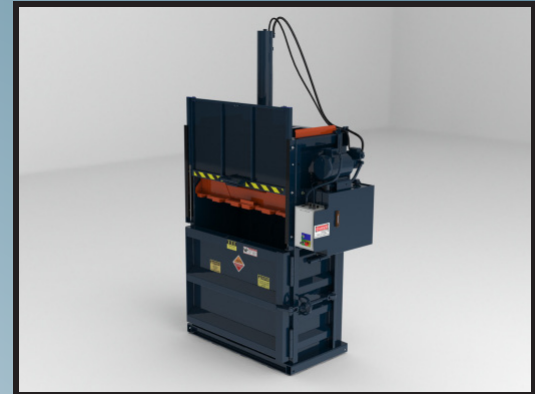


FEATURES

- Loading Door
- Feed Opening
- Feed Height
- Electro-Magnetic Door Interlock System
- Control Panel
- Full Bale Indicator
- Side Mounted Power Unit
- Patented Bale Eject System
- ANSI Z245.5 Compliant



The revolutionary design of the VB Baler offers safety and simplicity like no other on the market. A gas spring loading gate solves the age-old chain, sprocket and pulley reliability problem.

GTS offers a complete line of vertical balers to fit your recycling needs. Balers to recycle small volumes of aluminum or plastic on an ongoing basis or balers to recycle cardboard the size of refrigerator boxes. All designed to quietly, efficiently and safely compact your recyclable materials.

The GTS VB baler series baler was introduced in 2002 with the most sweeping changes in baler technology in decades. The VB Baler was designed for improved safety and ease of maintenance.

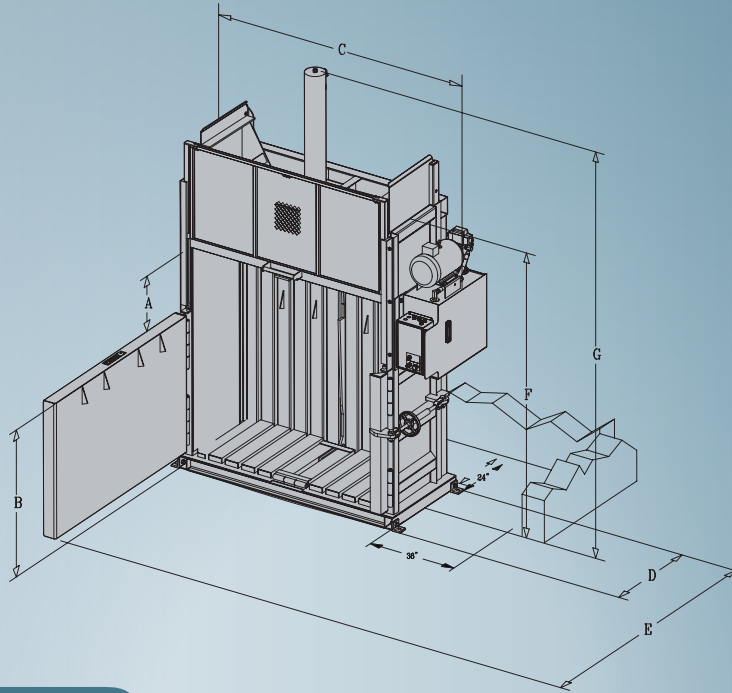


**GLOBAL TRASH
SOLUTIONS**

CONTACT US

Global Trash Solutions
1194 Old Dixie Hwy. Suite 7
Lake Park, FL 33403
(866) 760-8194
www.GlobalTrashSolutions.com

GTS VB SERIES VERTICAL BALER



SPECIFICATIONS

		VB-42-B	VB-60-B	VB-60-T	VB-60-H	VB-60-X	VB72-B	VB-72-H	VB-72-X
A	Feed Opening Height	24"	24"	24"	24"	24"	24"	24"	24"
B	Load Height	52"	52"	52"	52"	52"	52"	52"	52"
C	Overall Width	65"	83"	83"	83"	83"	95"	95"	95"
D	Overall Depth	43"	43"	43"	43"	43"	43"	43"	43"
E	Overall Depth w/ Door Open	83"	101"	101"	101"	101"	113"	113"	113"
F	Frame Height	99"	99"	99"	99"	99"	99"	99"	99"
G	Overall Height - Installed	139.5"	139.5"	147"	147"	147"	139.5"	147"	147"
Nominal Bale Size	W	42"	60"	60"	60"	60"	72"	72"	72"
	D	30"	30"	30"	30"	30"	30"	30"	30"
	H	48"	48"	48"	48"	48"	48"	48"	48"
Cylinder	B	6"	6"	6"	7"	7"	6"	7"	7"
	S	44"	44"	52"	52"	52"	44"	52"	52"
	R	3.5"	3.5"	4"	4"	4"	3.5"	4"	4"
Bale Weight Up to lb (OCC)		750 lbs	1,000 lbs	1,200 lbs	1,400 lbs	1,400 lbs	1,200 lbs	1,600 lbs	1,600 lbs
Motor		10hp	10hp	15hp	15hp	20hp	10hp	15hp	20hp
Pump @ 1800 rpm		9 gpm	9 gpm	10.5 gpm	10.5 gpm	13.5 gpm	9 gpm	10.5 gpm	13.5 gpm
System Pressure		2,100 psi	2,100 psi	2,400 psi	2,400 psi	2,400 psi	2,100 psi	2,400 psi	2,400 psi
Platen Force		59,370 lbs	59,370 lbs	68,850 lbs	92,350 lbs	92,350 lbs	59,370 lbs	92,350 lbs	92,350 lbs
Platen Face Pressure		68 psi	48 psi	55 psi	75 psi	75 psi	39 psi	61 psi	61 psi
Average Cycle Time		57 sec	57 sec	56 sec	77 sec	60 sec	57 sec	77 sec	60 sec
(W/Optional Regen)		34 sec	34 sec	33 sec	44 sec	35 sec	34 sec	44 sec	35 sec
Unit Weight		3,850 lbs	4,450 lbs	4,800 lbs	5,000 lbs	5,050 lbs	4,850 lbs	5,450 lbs	5,500 lbs